

DAYTONA



 **SPANESI**®

# INDEX

Daytona	4
Daytona Truck	18

# Performance and Design



## DAYTONA

### **The only system of its kind in the world**

The Daytona frame straightening workstation design for repairs on every damage type, on any vehicle.

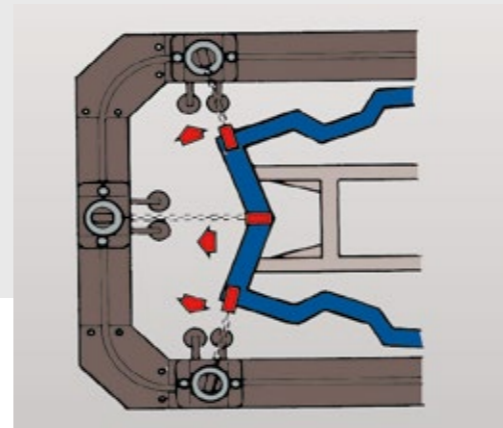
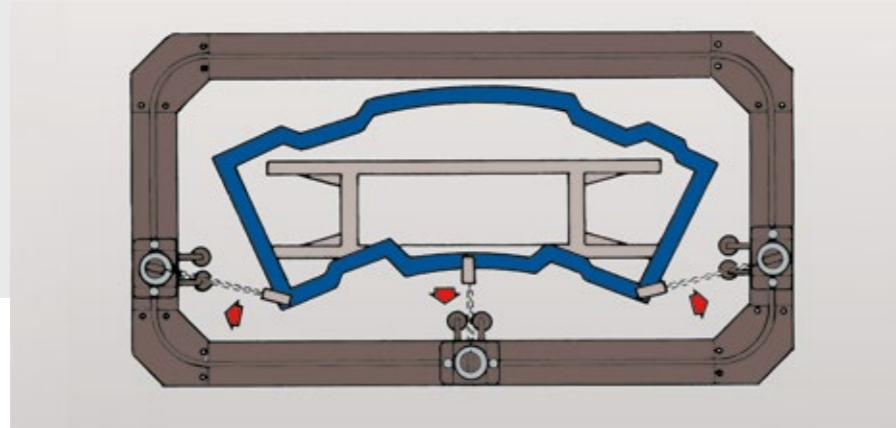
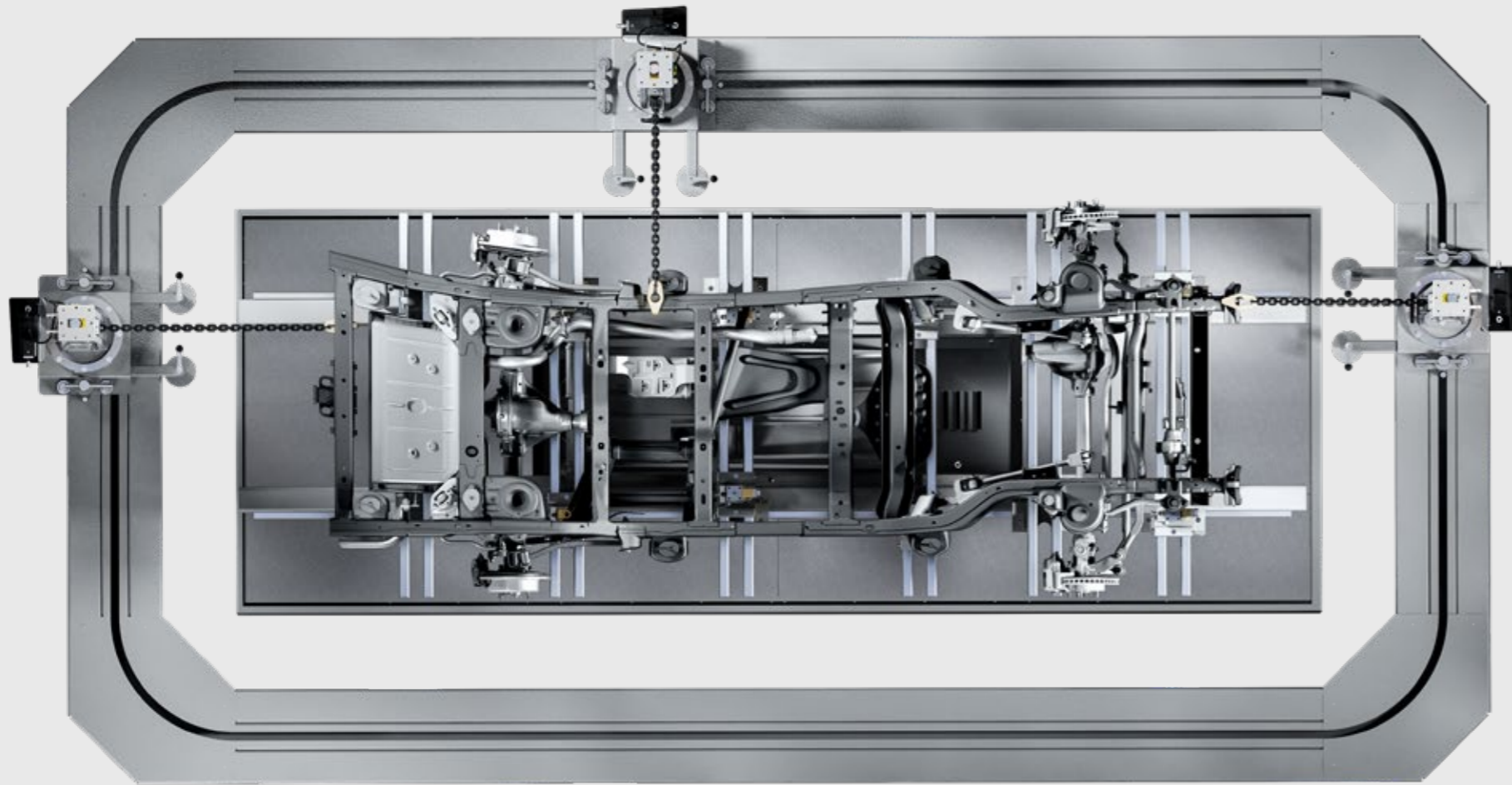
Comprised of concentric tracks to allow the pulling columns to move independently around the entire vehicle. The Daytona is designed to allow simultaneous holds and multiple pulls for the most complex repairs.

### **Customizable**

The configurable workstation. Multiple pulling column paths can be placed around multiple benches to allow for small, medium and large damage types. Small to heavy duty vehicles are accommodated in this extraordinarily flexible straightening system.

The Daytona is available in both in-floor and over-floor configurations.





01 — **IN-FLOOR AND OVER-FLOOR**  
Designed for any installation type.

02 — **MULTIPLE BENCH COMBINATIONS**  
For small to large vehicles with any damage severity.

03 — **DAILY USE**  
Lift, disassemble, repair, and reassemble in a single bay.

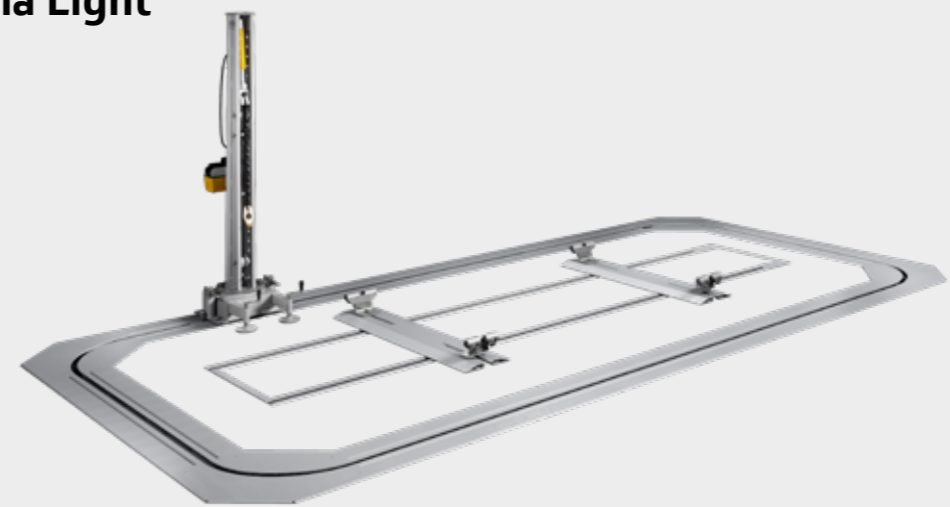
04 — **FOR EVERY VEHICLE**  
Small footprints for big repairs.

05 — **MULTIPLE PULLS**  
10 tons of pulling force per pulling column. Pulling columns never have to leave the column paths.

**Daytona S**



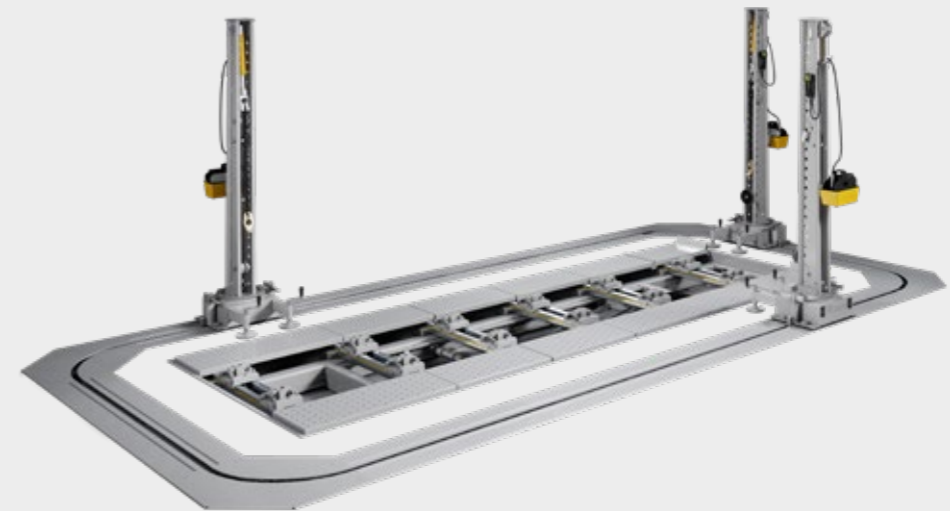
**Daytona Light**



**Daytona with over-floor bench**



**Daytona with in-floor bench**



**Daytona with Minibench or Multibench (over-floor)**



**Daytona with Ponybench (in-floor)**





**DOUBLE DAYTONA**



**TRIPLE DAYTONA**



**DAYTONA IN-FLOOR**

floor level

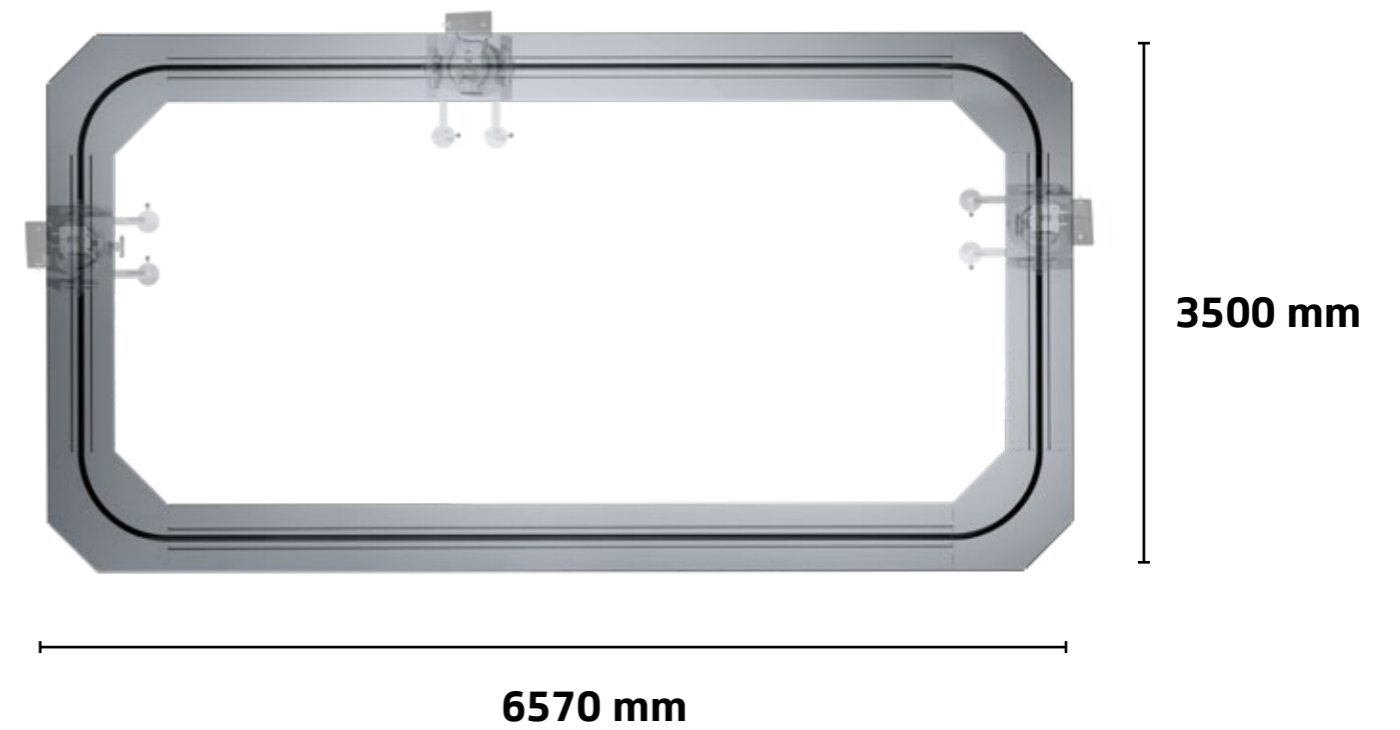


**DAYTONA OVER-FLOOR**

- h 105 mm



Easily mount and hold with universal clamps



Daytona bench - h 475 mm  
106 bench - h 580 mm

Loading trolley attached to pulling column



**DAYTONA BENCH AND 106 BENCH**

<b>LOAD CAPACITY</b>	<b>5000 Kg</b>
<b>LENGTH</b>	<b>4-5 metres</b>
<b>WIDTH</b>	<b>1.8 metres</b>
<b>LIFTING HEIGHT</b>	<b>1.74 metres</b>
<b>PULLING FORCE</b>	<b>10 Tons</b>
<b>VOLTAGE/FREQUENCY</b>	<b>400V/50-60 Hz</b>

# UNIVERSAL JIG SYSTEM

## 3D Repair

The Spanesi Universal Jig system is a sophisticated 3 dimensional repair platform that allows restoration of any vehicle back to OEM standards.

Throughout the entire process, repairs are precise, accurate and efficient.

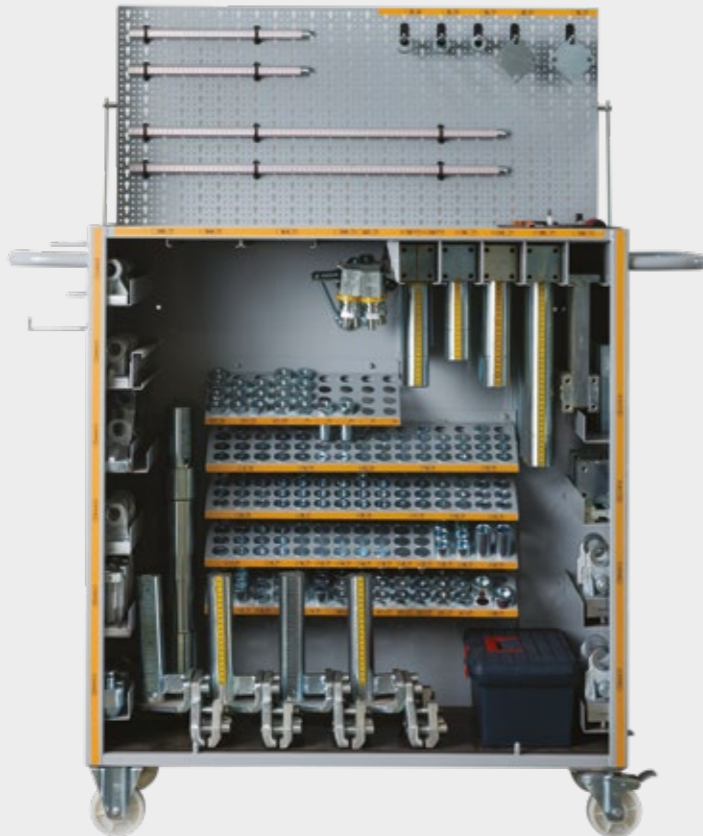
Length, width and height values are all returned to original specifications.

Downward and upward thrusting ensure a complete and efficient repair.

Contains:

- Universal Jig trolley
- Crossbars
- Rack gears
- Positioning and ascending ramps
- Set of special hardened bolts
- Winstar software
- McPherson measuring system

## Universal Jig trolley



No optional equipment necessary. The movable universal jig trolley contains all of the items (McPherson measuring system included) needed to repair past, current and future vehicles.

## Crossbars



## Rack gears



## Positioning and ascending ramps



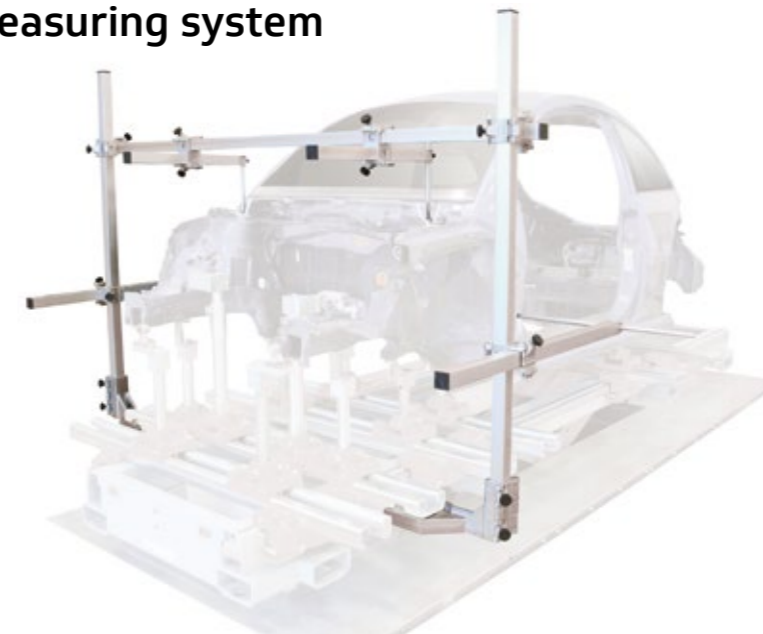
## Set of special hardened bolts kit



## Winstar software



## McPherson measuring system







01 \_\_\_\_\_  
**REPAIR BACK TO OEM STANDARDS**  
 All types of vehicle: Past, present, future.

02 \_\_\_\_\_  
**REPAIR BACK TO OEM STANDARDS**  
 All types of damage: Small, medium, large.

03 \_\_\_\_\_  
**3D REPAIR CONCEPT**  
 Restore height, length and width values.

04 \_\_\_\_\_  
**GEAR DRIVEN RACKS**  
 Easy vehicle movement on the bench.

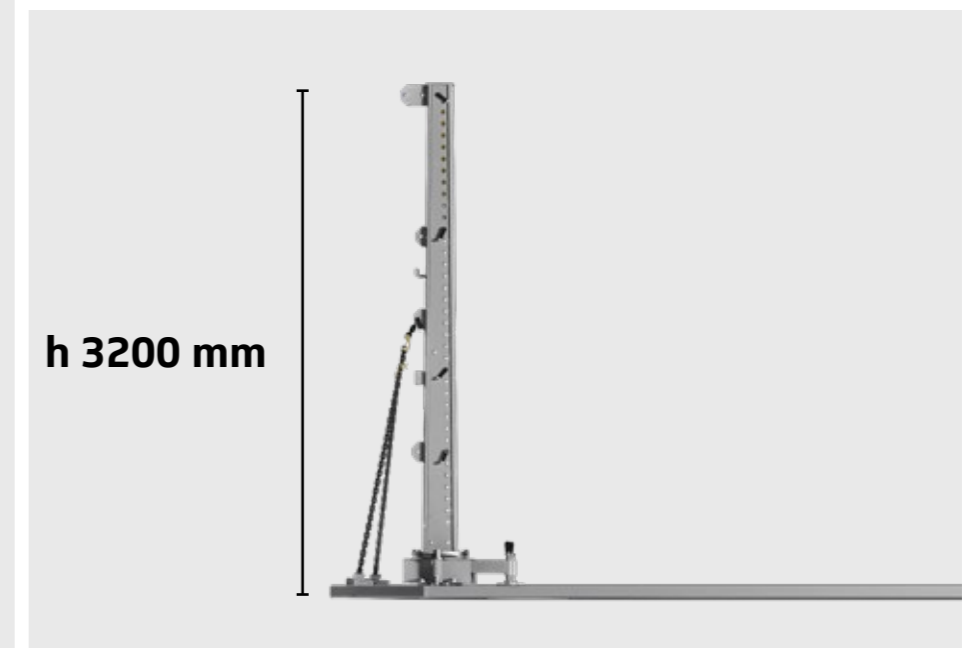
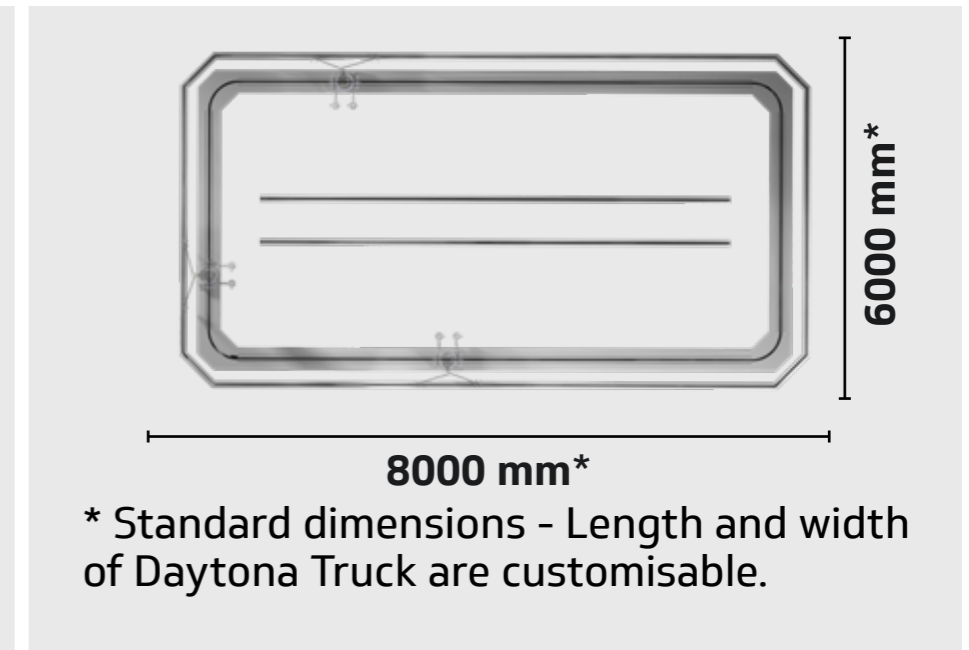


05 \_\_\_\_\_  
**GEAR DRIVEN FIXTURES**  
 Move the vehicle structure up or down at every jig mounting point.

06 \_\_\_\_\_  
**FAST, ACCURATE AND EFFICIENT**  
 At the same time:  
 Mounting  
 Pulling  
 Measuring



07 \_\_\_\_\_  
**COMPLETE FIXTURING SYSTEM**  
 Repair current and future vehicles utilizing the provided universal jig system.



## DAYTONA TRUCK

### Truck repairs

Daytona Truck is the truck repair bench. Lets you repair both the cab and the chassis in one place.

It is a bench that can be configured: choose custom widths and lengths to fit your facilities requirements.

### Multiple high power pulls

The Daytona Truck pull bars can be used with two pulling cylinders at the same time, with a total pulling force of 20 tons per bar.

Using multiple pulls provides technicians considerable pulling power to address all types of heavy duty repair damage.



**Spanesi S.p.A.**

Via Praarie 56/II - 35010

Cavino di San Giorgio  
delle Pertiche (PD)

Tel. +39 049 933 32 11

e-mail: [info@spanesi.it](mailto:info@spanesi.it)